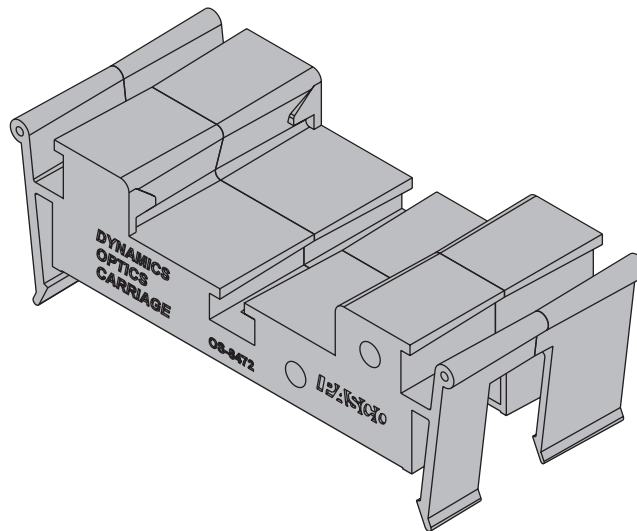


Dynamics Optics Carriage

OS-8472



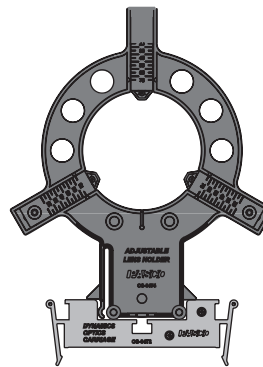
Introduction

The PASCO Dynamics Optics Carriage allows you to use a dynamics track as an optics bench. The carriage works with any aluminum PASCO dynamics track and with Basic Optics components such as lens holders, light sources, and viewing screens.

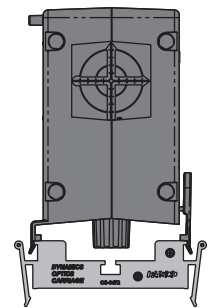
Component Assembly

Most Basic Optics components, including the OS-8471 Adjustable Lens Holder, snap into the wide central channel of the carriage; the OS-8470 Light Source snaps onto the two outer channels of the carriage. Center the component on top of the carriage and push down to snap it in place.

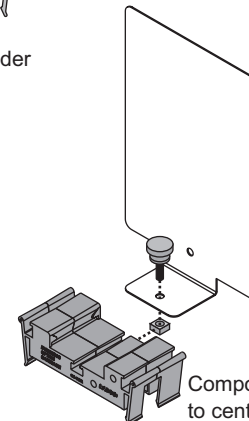
Older-style components such as the metal viewing screen and the bracket of the OS-8517A Light Source include a thumbscrew and square nut for attachment to the central T-slot of the carriage. Insert the thumbscrew through the hole at the base of the component and thread it part-way into the nut (the end of the screw should not protrude through the nut). Slide the nut into one end of the carriage's T-slot and tighten the thumbscrew.



OS-8471
Adjustable Lens Holder

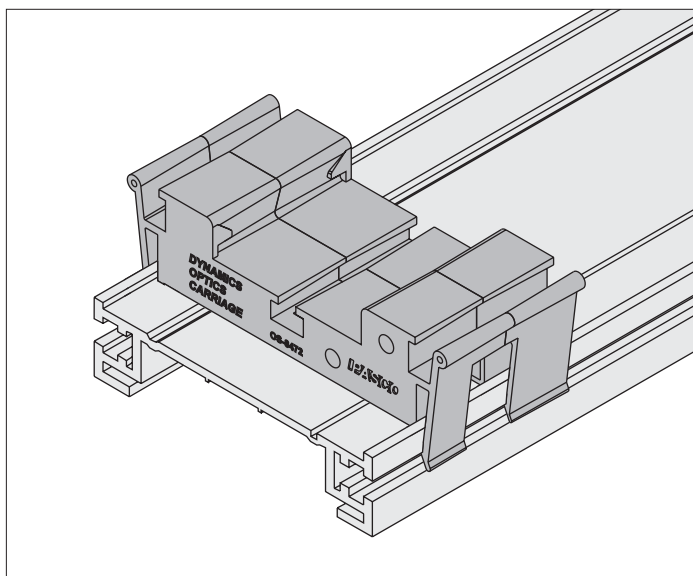


OS-8470
Light Source



Track Attachment

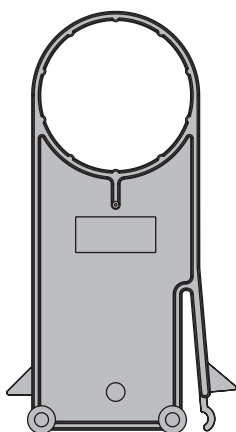
Place the carriage on top of a dynamics track and press down to snap the outer tabs of the carriage into the side slots of the track. You can then slide the carriage along the track to the desired position. To detach the carriage, squeeze the arms on either side of the carriage and pull up.



Carriage on a Dynamics Track

Compatible Components

Component	Model Number
Adjustable Lens Holder	OS-8474
Basic Optics Light Source	OS-8470
Viewing Screen	OS-8460
Other components with the standard Basic Optics base (pictured below)	See the PASCO Physics Catalog or www.pasco.com



Standard Basic Optics Base

Technical Support

For assistance with any PASCO product, contact PASCO at:

Address: PASCO scientific
10101 Foothills Blvd.
Roseville, CA 95747-7100

Phone: 916-786-3800 (worldwide)
800-772-8700 (U.S.)

Fax: (916) 786-7565

Web: www.pasco.com

Email: support@pasco.com

Limited Warranty

For a description of the product warranty, see the PASCO catalog.

Copyright

The PASCO scientific 012-09394B *Dynamics Optics Carriage Instruction Sheet* is copyrighted with all rights reserved. Permission is granted to non-profit educational institutions for reproduction of any part of this Instruction Sheet, providing the reproductions are used only in their laboratories and classrooms, and are not sold for profit. Reproduction under any other circumstances, without the written consent of PASCO scientific, is prohibited.

Trademarks

PASCO and PASCO scientific are trademarks or registered trademarks of PASCO scientific, in the United States and/or in other countries. All other brands, products, or service names are or may be trademarks or service marks of, and are used to identify, products or services of, their respective owners. For more information visit www.pasco.com/legal.